



PLTW Virtual Learning

# 7th and 8th Grade Design and Modeling

May 7, 2020



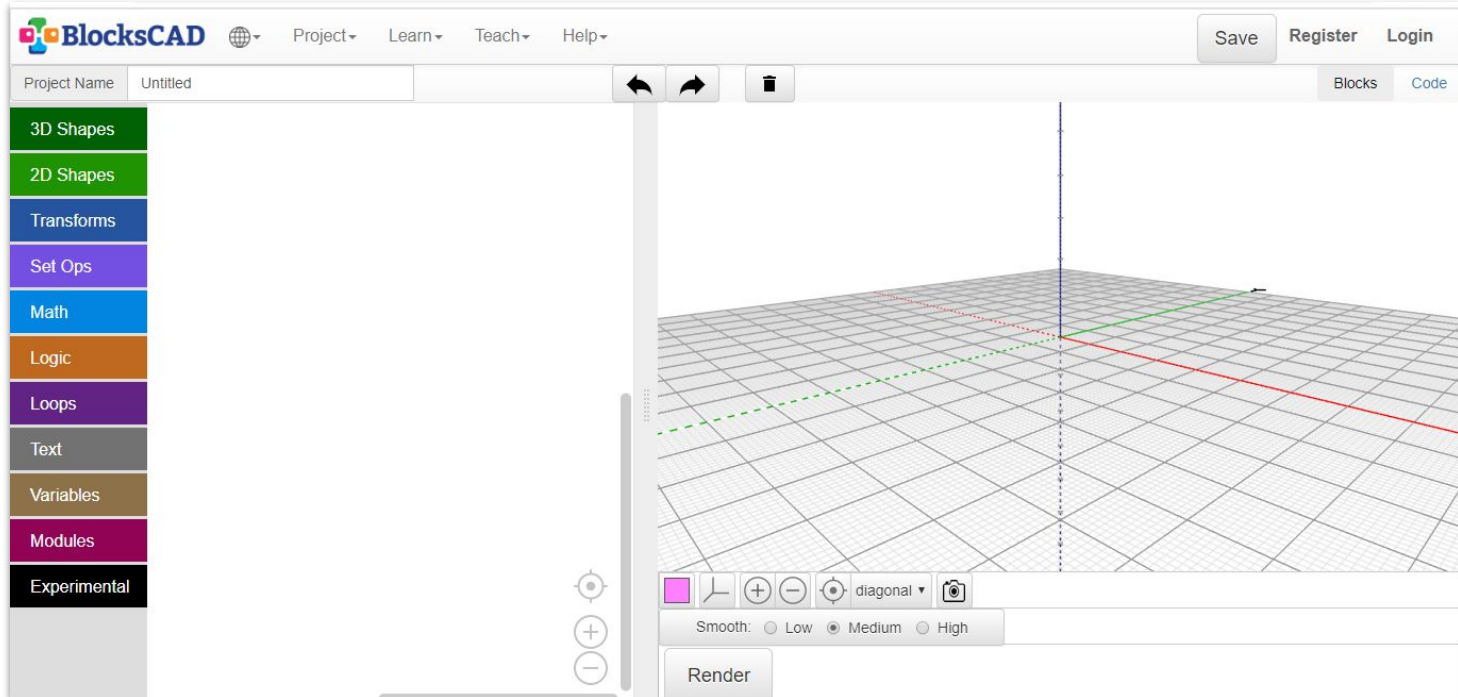
## Lesson 24: 3D Modeling Day 4

### **Objective/Learning Target:**

Students will understand basic navigation of multiple computer-aided design softwares.

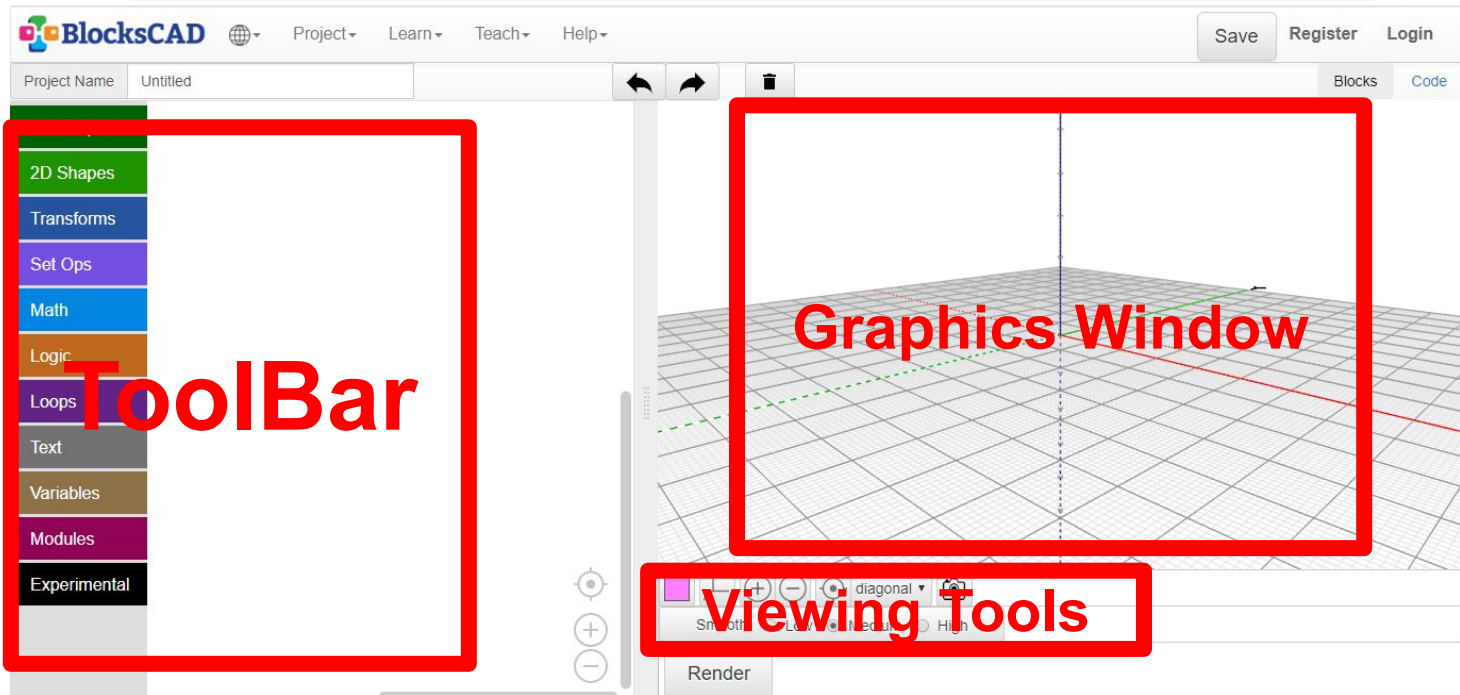
# Warm-Up:

Get out your notes. Label the graphics window, viewing tools and tool bar on the image.



# Warm-Up: Answer

Get out your notes. Label the graphics window, viewing tools and tool bar on the image.



## Lesson Introduction/Background Information:

Today we are going to explore 2 different free online 3D modeling programs. Add what you learn about each to your notes.

[BlocksCAD](#)



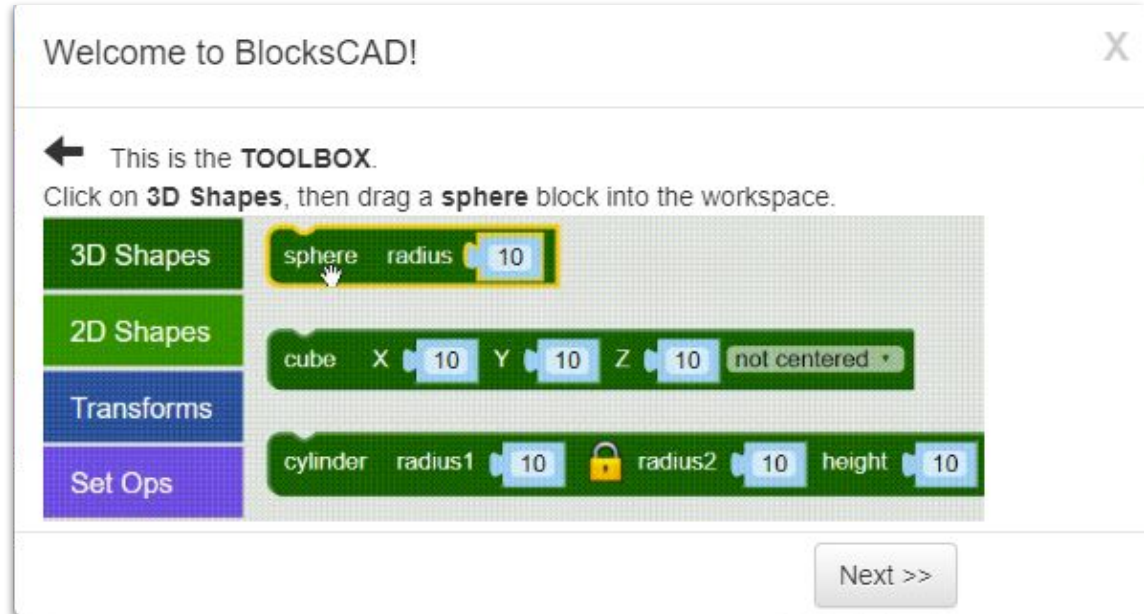
[SketchUp](#)



Note: None of these will require you to download anything. However, many of these programs will need you to login with an email account to use them, this helps to save your progress.

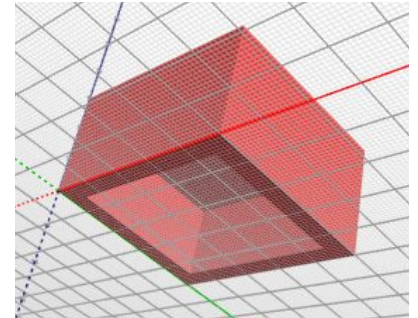
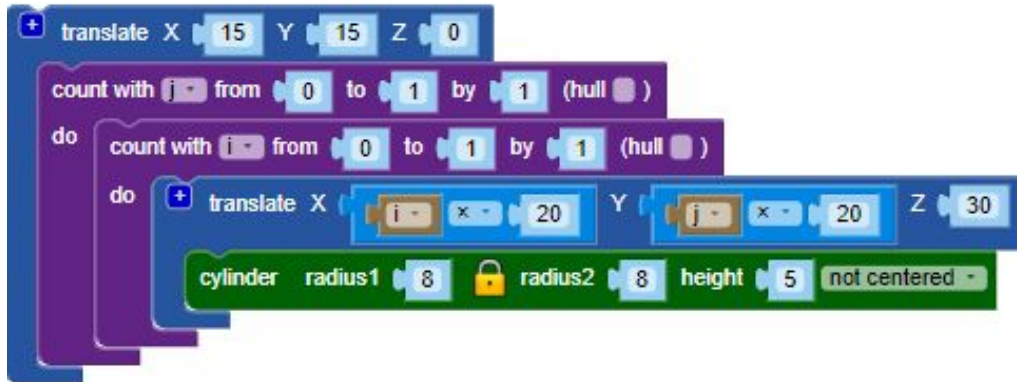
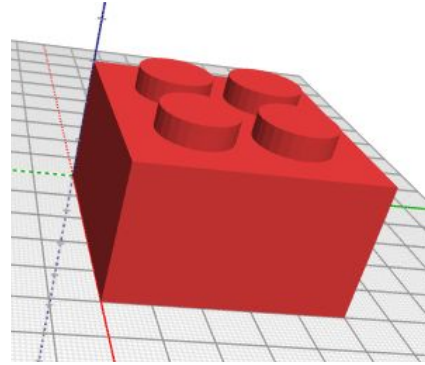
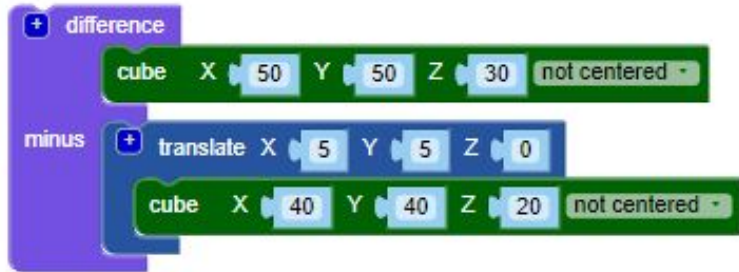
# Practice:

Start with BlocksCAD. Choosing the **CREATE NOW** button will allow you to draw without logging in. The first time you open it a tutorial will pop up. Scroll through to see the basic commands.



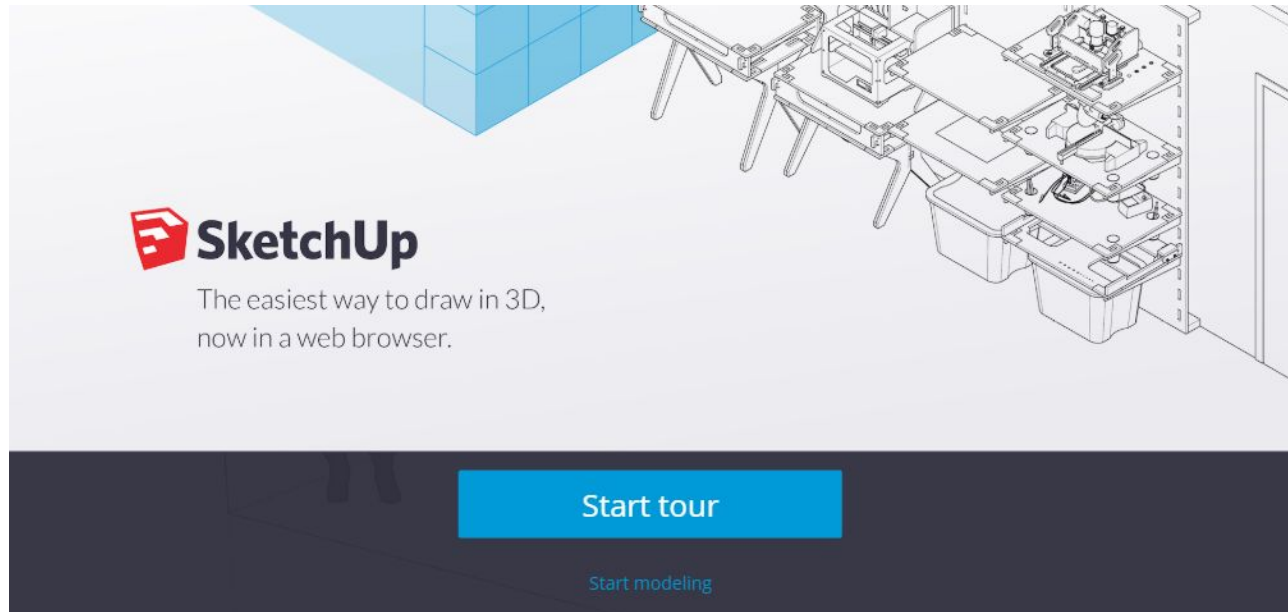
# Practice:

Begin by drawing this shape and rotate the image so you can see these views.



## Practice:

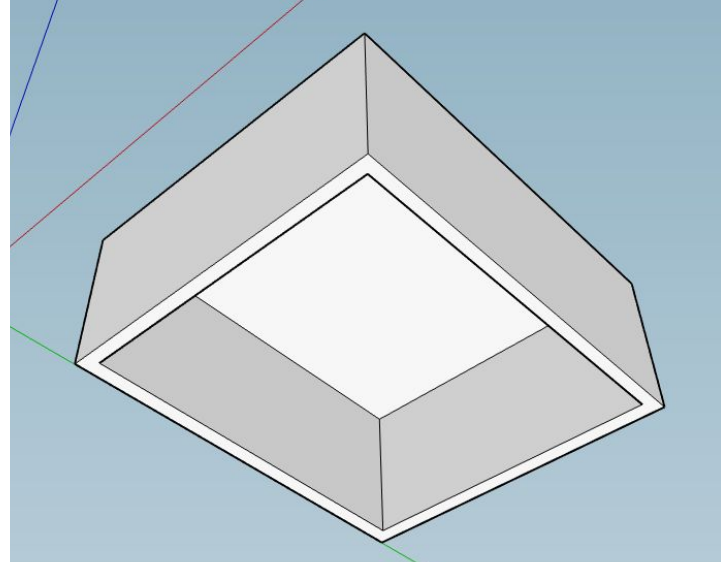
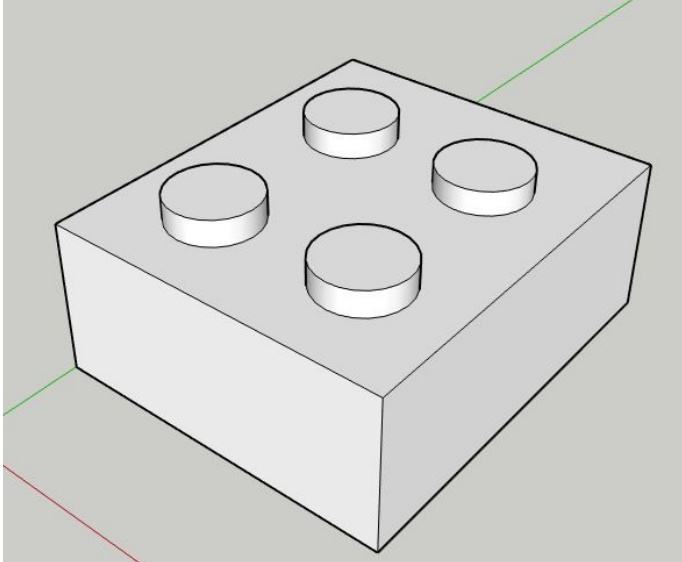
Next move to SketchUp. Once you have logged in, you will see the option “take a tour” on your homepage. Complete the tour to learn basic commands.





# Practice:

Begin by drawing this shape and rotate the image so you can see these views.



## **Self-Assessment:**

Which program did you enjoy most using today? Why?

List the advantages and disadvantages of each program.

## **Extend Your Learning/Continued Practice:**

Keep drawing! Continue practicing and using each of the programs we learned today.